

Combi-steam oven 200 Series

Metal behind glass

Water connection

Width 76 cm

Controls at the bottom

Right-hinged

BS 280-130

Aluminium-backed full glass door

Left-hinged

BS 281-130

Aluminium-backed full glass door

Accessories included in the price:

One stainless steel cooking insert GN 2/3, unperforated and 40 mm deep.

One stainless steel cooking insert GN 2/3, perforated and 40 mm deep.

One wire shelf.

3 m water inlet hose.

3 m outlet hose on the appliance, interior diameter 20 mm (the water connection is the same as for the dishwasher).

Minimum water connection pressure 200 kPa. Important, a 500 kPa pressure limiting valve needs to be fitted. Refer to the installation instructions.

Core temperature probe.

230-240 V / 50Hz

BS 280/281-130

- Extra-wide 76 cm, for combination with BO 280/281.

- Cooking with steam and without pressure at humidity levels from 0 to 100% and temperatures up to 230°C.

With core temperature probe. Professional cooking technology for the home.

- Direct water connection with inlet and outlet - for unlimited water supply.

Steaming without pressure (100% humidity, 100°C).

Hot air circulation 30° to 230°C at variable humidity levels of 0%, 30%, 60%, 80% or 100%.

Cooking methods: combi-steaming, steam baking, juice extraction, low temperature steaming, low temperature cooking.

Regeneration.

Thawing.

Dough fermentation.

Electronic temperature control.

Net volume 44 litres.

LCD function display with digital clock.

Timer functions: cooking time, shut off time, short-term timer, stop watch, long-term timer.

Rotary knobs and touch key operation.

Saves up to 6 memory recipes (incl. core temperature probe)

Fresh steam system with water inlet and outlet.

Steam removal.

Core temperature probe with automatic shut off.

Thermo-Test actual temperature display.

Misting.

Capacity display for filter cartridge (if connected to WF 040-020 Brita descaling system).

Automatic boiling point detection.

Settings menu with clear text display.

60 W halogen light on the side.

Hygienic stainless steel cooking interior.

Four rack levels.

Child lock.

Safety lock.

Side-opening door opens up to 180° angle.

Cooled housing with temperature protection.

Cleaning programme.

Drying.

Grease filter in front of hot air fan.

Installation accessories:

GZ 010-011 Extension for

inlet and outlet (2 m long).

Special accessories:

KB 220-000 Additional stainless

steel cooking insert GN 2/3, unperforated, 40 mm deep, 3 l.

KB 220-324 Additional stainless

steel cooking insert GN 2/3, perforated, 40 mm deep, 3 l.

KB 220-114 Stainless steel

cooking insert GN 1/3, unperforated, 40 mm deep, 1.5 l.

KB 220-124 Stainless steel

cooking insert GN 1/3, perforated, 40 mm deep, 1.5 l.

GN340-230 Gastronorm roaster in

cast aluminium.

Planning notes:

When installing a BS2... steam appliance in a vertical situation no other appliances should be installed above the steam oven. Horizontal furniture handles should be avoided above a BS2... steam appliance. Use only vertical handles or none at all.

Door hinge not reversible.

At no point may the outlet hose be laid higher than the bottom edge of the appliance.

The outlet hose must also lie at least 100 mm lower than the appliance drain (see "waste water" drawing).

The outlet hose must not be longer than a maximum of 5 m.

The water connection (1) for the inlet hose must always be accessible and must not be located directly behind the appliance.

The connection of the outlet hose to the siphon (2) must not be directly behind the appliance and should be accessible. The descaling system WF 040-020 (3) must be installed when connecting the appliance if the water hardness exceeds 7°dH.

The façade of the appliance extends 47 mm from the cabinet cavity.

The outer edge of the door handle extends 94 mm from the cabinet cavity.

A ventilation cut-out must be made in the floor of the cabinet minimum dimensions of 20mm x 500mm.

When planning a corner solution, pay attention to the 90° door opening angle. Consider the overhang, incl. the door handle, when planning to open drawers next to the appliance.

Plan a gap of at least 5 mm between the appliance and adjacent cabinets.

To achieve the 550 mm installation depth, the hoses and connecting cable needs to follow the slanted edge on the lower left hand corner of the housing and then be led down and up, respectively. The main socket needs to be planned outside of the niche. Place the oven connection socket above, below or at the side of the oven.

Rating:

Total connected load 2.9 kW.

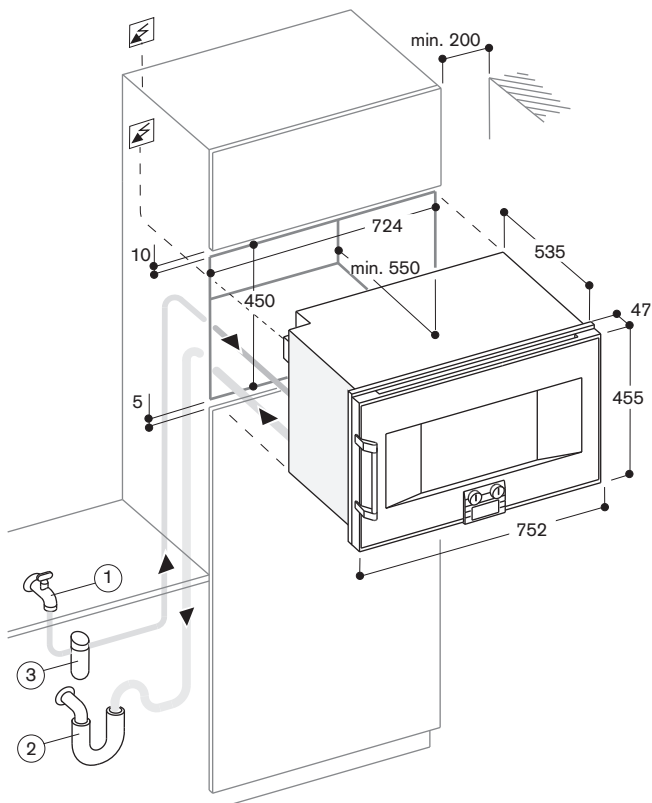
Cold water connection,

(no hot water connection).

Waste water outlet ø 50 mm (HT pipe).

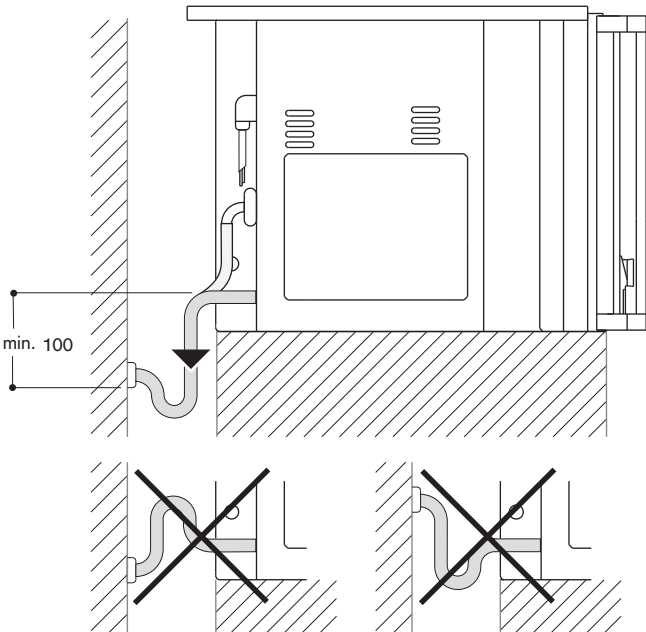
Plan a connecting cable.



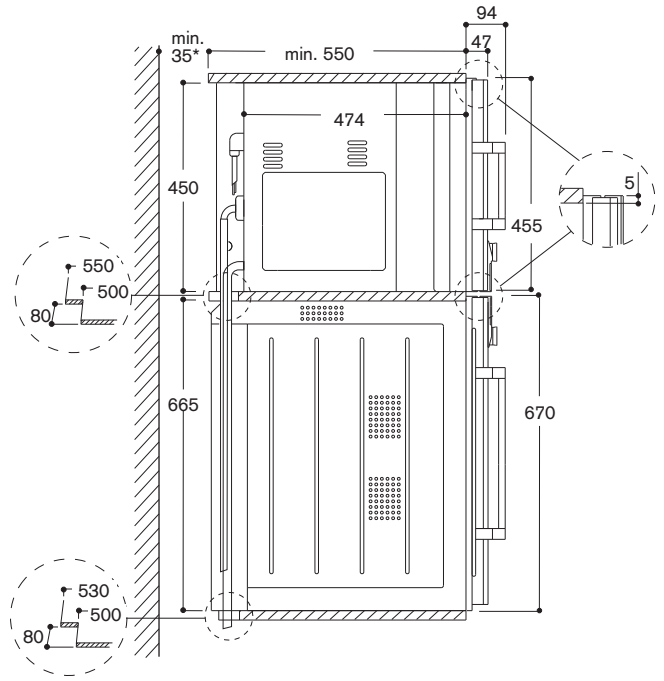


- (1) Water connection
- (2) Siphon
- (3) Descaling system

Waste water

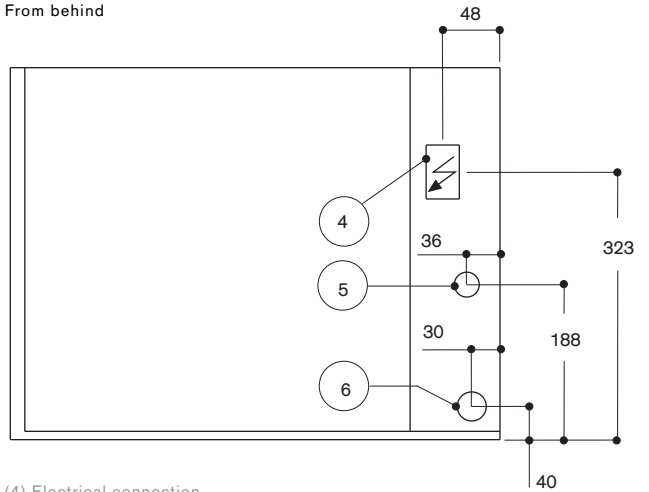


**Installation BS 280 above BO,
Side view**

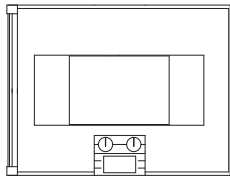


* In case the hoses cannot follow the slanted edge of the housing when the unit is being installed above a BO appliance, the cabinet carcass must be shifted forward by 35 mm, and a cladding or blanking piece inserted at the side.

**BS 280
From behind**



- (4) Electrical connection
- (5) Cold water connection
- (6) Water outlet



Combi-steam oven 200 Series

Metal behind glass

Water connection

Width 60 cm

Controls at the bottom

Right-hinged

BS 270-130

Aluminium-backed full glass door

Left-hinged

BS 271-130

Aluminium-backed full glass door

Controls at the top

Right hinged

BS 274-130

Aluminium-backed full glass door

Left-hinged

BS 275-130

Aluminium-backed full glass door

Accessories included in the price:

One stainless steel cooking insert GN 2/3, unperforated and 40 mm deep.

One stainless steel cooking insert GN 2/3, perforated and 40 mm deep.

One wire shelf.

3 m water inlet hose.

3 m outlet hose on the appliance, interior diameter 20 mm

(the water connection is the same as for the dishwasher).

Minimum water connection pressure 200 kPa. Important, a 500 kPa pressure limiting valve needs to be fitted. Refer to the installation instructions.

Core temperature probe.

230-240 V / 50Hz

BS 270/271-130 BS 274/275-130

- Aluminium-backed full glass door with panoramic view.

- Cooking with steam and without pressure at humidity levels from 0 to 100% and temperatures up to 230°C.

With core temperature probe. Professional cooking technology for the home.

- Direct water connection with inlet and outlet - for unlimited water supply.

Steaming without pressure (100% humidity, 100°C).

Hot air circulation 30° to 230°C at variable humidity levels of 0%, 30%, 60%, 80% or 100%.

Cooking methods: combi-steaming, steam baking, juice extraction, low temperature steaming, low temperature cooking. Regeneration.

Thawing.

Dough fermentation.

Electronic temperature control.

Net volume 44 litres.

LCD function display with digital clock.

Timer functions: cooking time, shut off time, short-term timer, stop watch, long-term timer.

Rotary knobs and touch key operation.

Saves up to 6 memory recipes (incl. core temperature probe)

Fresh steam system with water inlet and outlet.

Steam removal.

Core temperature probe with automatic shut off.

Thermo-Test actual temperature display. Misting.

Capacity display for filter cartridge (if connected to WF 040-020 Brita descaling system).

Automatic boiling point detection.

Settings menu with clear text display.

60 W halogen light on the side.

Hygienic stainless steel cooking interior.

Four rack levels.

Child lock.

Safety lock.

Side-opening door opens up to 180° angle.

Cooled housing with temperature protection.

Cleaning programme.

Drying.

Grease filter in front of hot air fan.

Special accessories:

KB 220-000 Additional stainless steel cooking insert GN 2/3, unperforated, 40 mm deep, 3 l.

KB 220-324 Additional stainless steel cooking insert GN 2/3, perforated, 40 mm deep, 3 l.

KB 220-114 Stainless steel cooking insert GN 1/3, unperforated, 40 mm deep, 1.5 l.

KB 220-124 Stainless steel cooking insert GN 1/3, perforated, 40 mm deep, 1.5 l.

GN340-230 Gastronorm roaster in cast aluminium.

Planning notes:

When installing a BS2... steam appliance in a vertical situation no other appliances should be installed above the steam oven. Horizontal furniture handles should be avoided above a BS2... steam appliance. Use only vertical handles or none at all.

Door hinge not reversible.

At no point may the drain hose be laid higher than the bottom edge of the appliance.

The outlet hose must also lie at least 100 mm lower than the appliance drain (see "waste water" drawing).

The outlet hose must not be longer than a maximum of 5 m.

The water connection (1) for the inlet hose must always be accessible and must not be located directly behind the appliance.

The connection of the outlet hose to the siphon (2) must not be directly behind the appliance and should be accessible. The descaling system WF 040-020 (3) must be installed when connecting the appliance if the water hardness exceeds 7° dH.

The façade of the appliance extends 47 mm from the cabinet cavity.

A ventilation cut-out must be made in the floor of the cabinet minimum dimensions of 20mm x 500mm.

The outer edge of the door handle extends 94 mm from the cabinet cavity.

When planning a corner solution, pay attention to the 90° door opening angle. Consider the overhang, incl. the door handle, when planning to open drawers next to the appliance.

Plan a gap of at least 5 mm between the appliance and adjacent cabinets.

To achieve the 550 mm installation depth, the hoses and connecting cable needs to follow the slanted edge on the lower left hand corner of the housing and then be led down and up, respectively. The main socket needs to be planned outside of the niche. Place the oven connection socket above, below or at the side of the oven.

BS 274/275: For installation next to an oven, the handles for both appliances need to be placed in the middle.

Rating:

Total connected load 2.9 kW.

Cold water connection, (no hot water connection).

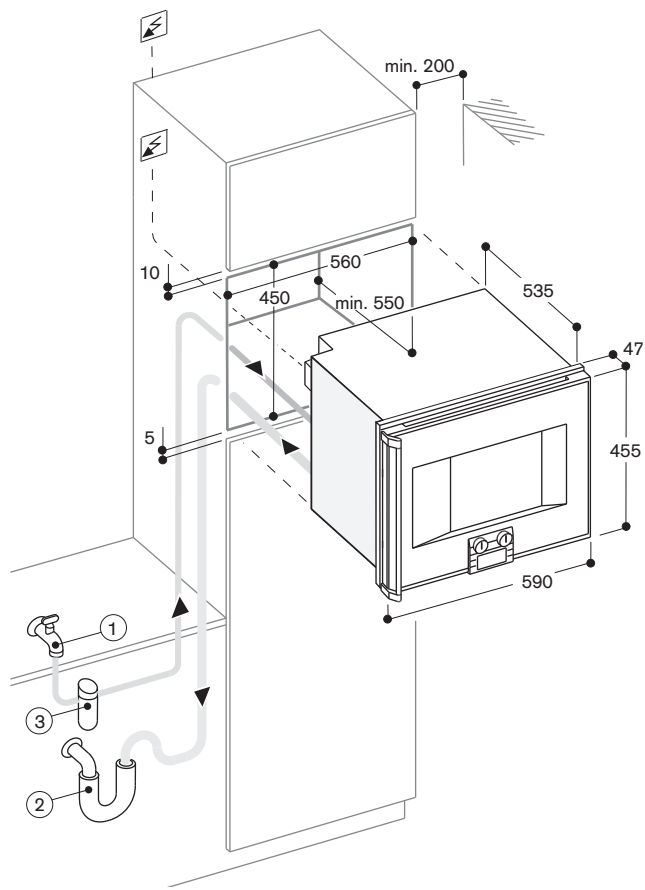
Waste water outlet ø 50 mm (HT pipe).

Plan a connecting cable.



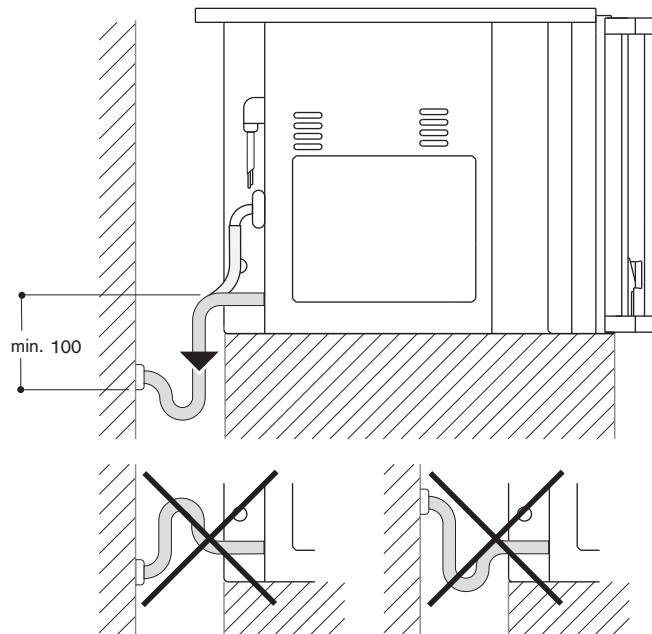
Installation accessories:

GZ 010-011 Extension for inlet and outlet (2 m long).

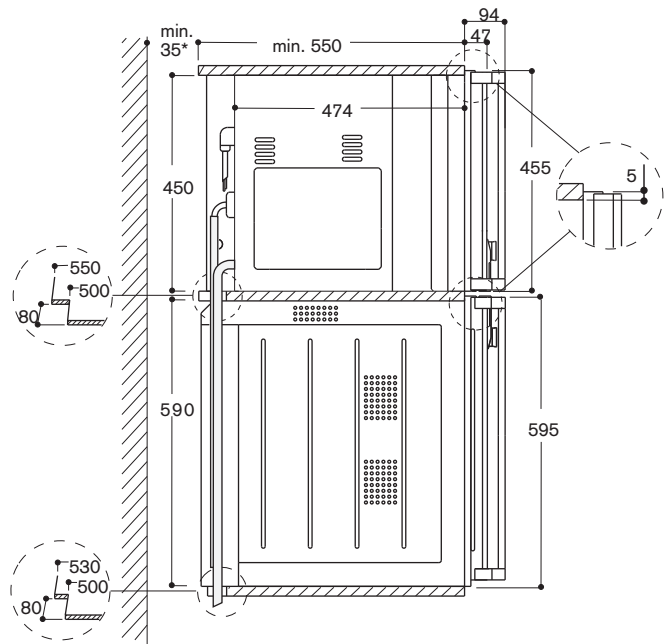


- (1) Water connection
- (2) Siphon
- (3) Descaling system

Waste water

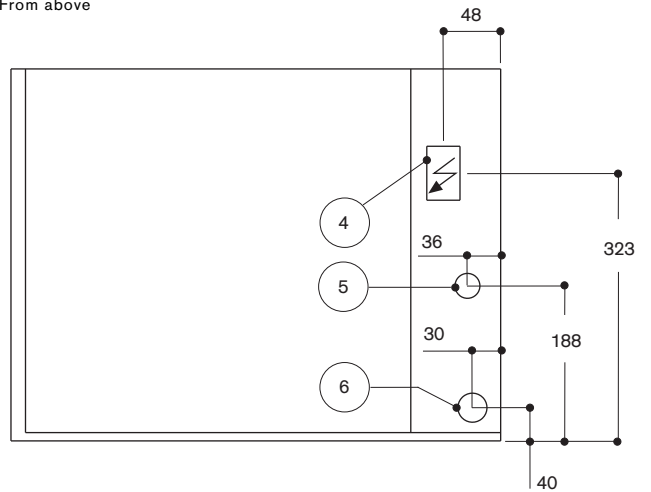


**Installation BS 270 above BO,
Side view**

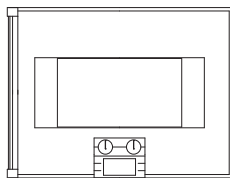


* In case the hoses cannot follow the slanted edge of the housing when the unit is being installed above a BO appliance, the cabinet carcass must be shifted forward by 35 mm, and a cladding or blanking piece inserted at the side.

**BS 270
From above**



- (4) Electrical connection
- (5) Cold water connection
- (6) Water outlet



Combi-steam oven 200 Series

Metal behind glass

Water tank

Width 60 cm

Controls at the bottom

Right-hinged

BS 250-130

Aluminium-backed full glass door

Left-hinged

BS 251-130

Aluminium-backed full glass door

Accessories included in the price:

One core temperature probe.

One stainless steel cooking insert GN 2/3, unperforated and 40 mm deep.

One stainless steel cooking insert GN 2/3, perforated and 40 mm deep.

One wire shelf.

230-240 V / 50Hz

BS 250/251-130

- Aluminium-backed full glass door with panoramic view.

- Cooking with steam and without pressure at humidity levels from 0 to 100% and temperatures up to 230°C.

With core temperature probe. Professional cooking technology for the home.

- No water connection necessary.

Suitable for easy integration into existing kitchens.

Steaming without pressure (100% humidity, 100°C).

Hot air circulation 30° to 230°C at variable humidity levels of 0%, 30%, 60%, 80% or 100%.

Cooking methods: combi-steaming, steam baking, juice extraction, low temperature steaming, low temperature cooking. Regeneration.

Thawing.

Dough fermentation.

Electronic temperature control.

Net volume 43 litres.

LCD function display with digital clock.

Timer functions: cooking time, shut off time, short-term timer, stop watch, long-term timer.

Rotary knobs and touch key operation.

Removable 1.3 litre water tank.

Water level warning.

Core temperature probe with automatic shut off.

Thermo-Test actual temperature display. Automatic boiling point detection.

Settings menu.

60 W halogen light on the side.

Hygienic stainless steel cooking interior.

Four rack levels.

Child lock.

Safety lock.

Side-opening door opens up to 180° angle.

Cooled housing with temperature protection.

Cleaning programme.

Drying.

Descaling programme.

Grease filter in front of hot air fan.

KB 220-000 Additional stainless steel cooking insert GN 2/3, unperforated, 40 mm deep, 3 l.

KB 220-324 Additional stainless steel cooking insert GN 2/3, perforated, 40 mm deep, 3 l.

KB 220-114 Stainless steel cooking insert GN 1/3, unperforated, 40 mm deep, 1.5 l.

KB 220-124 Stainless steel cooking insert GN 1/3, perforated, 40 mm deep, 1.5 l.

GN340-230 Gastronorm roaster in cast aluminium.

Planning notes:

When installing a BS2... steam appliance in a vertical situation no other appliances should be installed above the steam oven. Horizontal furniture handles should be avoided above a BS2... steam appliance. Use only vertical handles or none at all.

Door hinge not reversible.

The façade of the appliance extends 47 mm from the furniture cavity.

The outer edge of the door handle extends 94 mm from the cabinet cavity.

A ventilation cut-out must be made in the floor of the cabinet minimum dimensions of 20mm x 500mm.

When planning a corner solution, pay attention to the 90° door opening angle. Consider the overhang, incl. the door handle, when planning to open drawers next to the appliance.

Plan a gap of at least 5 mm between the appliance and adjacent cabinets.

To achieve the 550 mm installation depth, the connecting cable needs to follow the slanted edge on the lower left hand corner of the housing and then be led up. The main socket needs to be planned outside of the niche. Place the oven connection socket above, below or at the side of the oven.

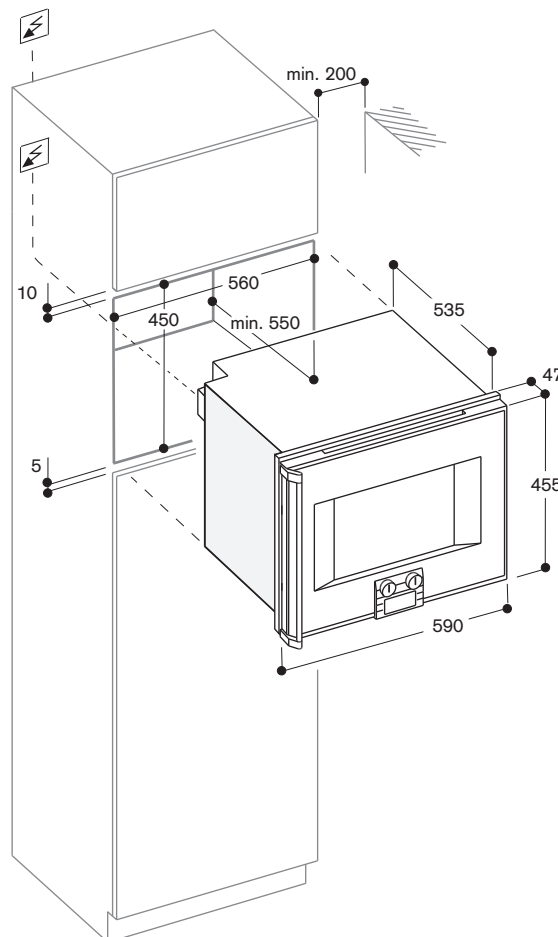
Rating:

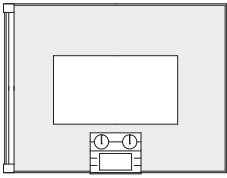
Total connected load 1.95 kW.

Plan a connecting cable.

10 amp plug & cable (1.5m).

Special accessories:





Steam oven 200 Series

Coloured front behind glass

Water tank

Width 60 cm

Controls at the bottom

Right-hinged

BS 220-130

Aluminium-coloured front behind full glass door

Left-hinged

BS 221-130

Aluminium-coloured front behind full glass door

Accessories included in the price:

One stainless steel cooking insert GN 2/3, unperforated and 40 mm deep.

One stainless steel cooking insert GN 2/3, perforated and 40 mm deep.

One wire shelf.

230-240 V / 50Hz

BS 220/221-130

- Aluminium-coloured front behind full glass door.

- Steaming without pressure, low temperature steaming, regeneration, thawing, and dough fermentation.

- No water connection necessary.

Suitable for easy integration into existing kitchens.

Steaming without pressure (100% humidity) with electronic temperature control from 30° to 100°C. Regeneration.

Dough fermentation.

Thawing.

Low temperature steaming.

Net volume 43 litres.

LCD function display with digital clock.

Timer functions: cooking time, shut off time, short-term timer, stop watch.

Rotary knobs and touch key operation.

Removable 1.3 litre water tank.

Water level warning.

Automatic boiling point detection.

Settings menu.

60 W halogen light on the side.

Hygienic stainless steel cooking interior.

Four rack levels.

Child lock.

Safety lock.

Side-opening door opens up to 180° angle.

Cooled housing with temperature protection.

Cleaning programme.

Descaling programme.

Planning notes:

When installing a BS2... steam appliance in a vertical situation no other appliances should be installed above the steam oven. Horizontal furniture handles should be avoided above a BS2... steam appliance. Use only vertical handles or none at all.

Door hinge not reversible.

The façade of the appliance extends 47 mm from the furniture cavity.

The outer edge of the door handle extends 94 mm from the cabinet cavity.

A ventilation cut-out must be made in the floor of the cabinet minimum dimensions of 20mm x 500mm.

When planning a corner solution, pay attention to the 90° door opening angle. Consider the overhang, incl. the door handle, when planning to open drawers next to the appliance.

Plan a gap of at least 5 mm between the appliance and adjacent cabinets.

To achieve the 550 mm installation depth, the connecting cable needs to follow the slanted edge on the lower left hand corner of the housing and then be led up. The main socket needs to be planned outside of the niche. Place the oven connection socket above, below or at the side of the oven.

Total connected load 1.9 kW.
Plan a connecting cable.



Rating:

Special accessories:	KB 220-000 Additional stainless steel cooking insert GN 2/3, unperforated, 40 mm deep, 3 l.
	KB 220-324 Additional stainless steel cooking insert GN 2/3, perforated, 40 mm deep, 3 l.
	KB 220-114 Stainless steel cooking insert GN 1/3, unperforated, 40 mm deep, 1.5 l.
	KB 220-124 Stainless steel cooking insert GN 1/3, perforated, 40 mm deep, 1.5 l.
	GN340-230 Gastronorm roaster in cast aluminium.

