

DF 461 161

fully integrated

Appliance height 86.5 cm

Included accessories

1 baking tray spray head

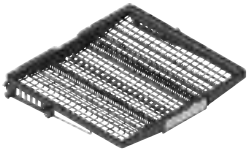
Special accessories

GZ 010 111

Aqua stop extensions (2m long) for all dishwashers

DA 041 060

Flex Plus drawer for 14 place settings, incl. pull out rails



DA 043 060

Glass basket for all 60cm wide dishwashers



Dishwasher

DF 461 161

- Vario dishwasher with 4 options, individually selectable:
- Clean and dry dishes in 57 minutes
- Intensive cleaning in the whole of the lower basket and glass care in the upper basket at the same time
- Enhanced drying performance
- Maximum energy saving
- Six programmes with Aqua sensor
- Flex Plus basket system, extra-extendable and smooth running
- Glasscare Plus technology
- Bright interior light
- Very quiet: 42 dB
- Aqua stop

Handling

Touch key operation.
 Display with time remaining indicator.
 Electronic salt and rinse refill indicator.
 Inflow water indicator.
 Bright interior light.
 Info-Light.
 End of programme indicator.
 Time delay up to 24 hours.

Features

Glasscare Plus technology.
 Aqua sensor.
 Load sensor.
 Aqua stop.
 Dosage Assist.
 Automatic detergent function.
 Regeneration electronics.
 Heat exchanger.
 Low temperature drying with Zeolite.
 Continuous flow heater.
 Soft lock.
 Triple filter system, self-cleaning.
 Child lock.

Programmes

6 programmes:
 Auto 65°C - 75°C.
 Auto 55°C - 65°C.
 Auto 35°C - 45°C.
 Standard Eco 50°C.
 Quick wash 45°C (29 min.).
 Pre-rinse.

4 options:

Power.
 Intensive.
 Extra Dry.
 Energy Save.

Features

Flex Plus upper basket:
 Extra-extendable.
 Smooth running.
 Rackmatic with 3 levels, adjustable in height up to 5 cm.
 6 folding spines.
 4 folding racks.
 2 glass support bars.

Flex Plus lower basket:
 Dividable glass support.
 6 folding spines.
 2 folding racks.
 Cutlery basket.

13 place setting capacity.

Product rating

WELS 5 star/10.7L
 From 0.97 kWh.
 Noise level 42 dB (re 1 pW).

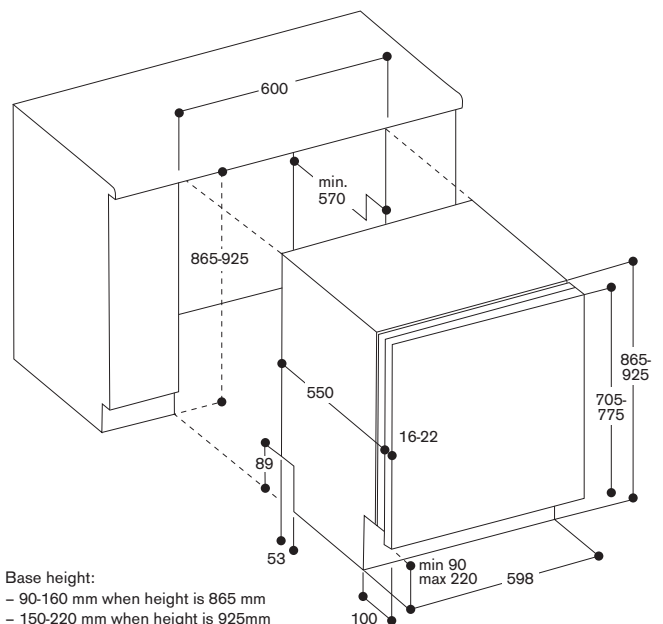
Planning notes

Height-adjustable feet.
 Rear plinth protrusion 90 mm.

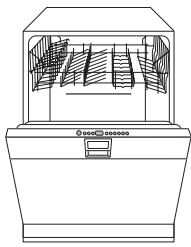
Rear feet adjustable at front.
 Door weight up to 9.5 kg.
 Door panel dimensions dependant on plinth height of kitchen furniture.
 Installation possible in tall unit.

Connection

Total connected load 2.3 kW.
 Connecting 10 amp cable plugable.
 Water connection with 3/4" screw joint.



Base height:
 - 90-160 mm when height is 865 mm
 - 150-220 mm when height is 925mm



DI 461 131

integrated

Aluminium panel

Appliance height 86.5cm

Included accessories

1 baking tray spray head

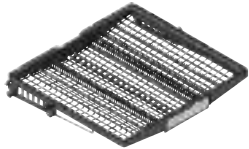
Special accessories

GZ 010 111

Aqua stop extensions (2m long) for all dishwashers

DA 041 060

Flex Plus drawer for 14 place settings, incl. pull out rails



DA 043 060

Glass basket for all 60cm wide dishwashers



Dishwasher

DI 461 131

- Vario dishwasher with 4 options, individually selectable:
- Clean and dry dishes in 57 minutes
- Intensive cleaning in the whole of the lower basket and glass care in the upper basket at the same time
- Enhanced drying performance
- Maximum energy saving
- Six programmes with Aqua sensor
- Flex Plus basket system, extra-extendable and smooth running
- Glasscare Plus technology
- Bright interior light
- Very quiet: 42 dB
- Aqua stop

Handling

- Touch key operation.
- Top display with time remaining indicator.
- Front display with clear text.
- Electronic salt and rinse refill indicator.
- Inflow water indicator.
- Bright interior light.
- Info-Light.
- End of programme indicator.
- Time delay up to 24 hours.

Features

- Glasscare Plus technology.
- Aqua sensor.
- Load sensor.
- Aqua stop with guarantee.
- Dosage Assist.
- Automatic detergent function.
- Regeneration electronics.
- Heat exchanger.
- Low temperature drying with Zeolite.
- Continuous flow heater.
- Soft lock.
- Triple filter system, self-cleaning.
- Child lock.

Programmes

- 6 programmes:
- Auto 65°C - 75°C.
- Auto 55°C - 65°C.
- Auto 35°C - 45°C.
- Standard Eco 50°C.
- Quick wash 45°C (29 min.).
- Pre-rinse.

4 options:

- Power.
- Intensive.
- Extra Dry.
- Energy Save.

Features

- Flex Plus upper basket:
- Extra-extendable.
- Smooth running.
- Rackmatic with 3 levels, adjustable in height up to 5 cm.
- 6 folding spines.
- 4 folding racks.
- 2 glass support bars.

Flex Plus lower basket:

- Dividable glass support.
- 6 folding spines.
- 2 folding racks.
- Cutlery basket.

13 place setting capacity.

Product rating

WELS 5 star/10.7L

From 0.97 kwh.

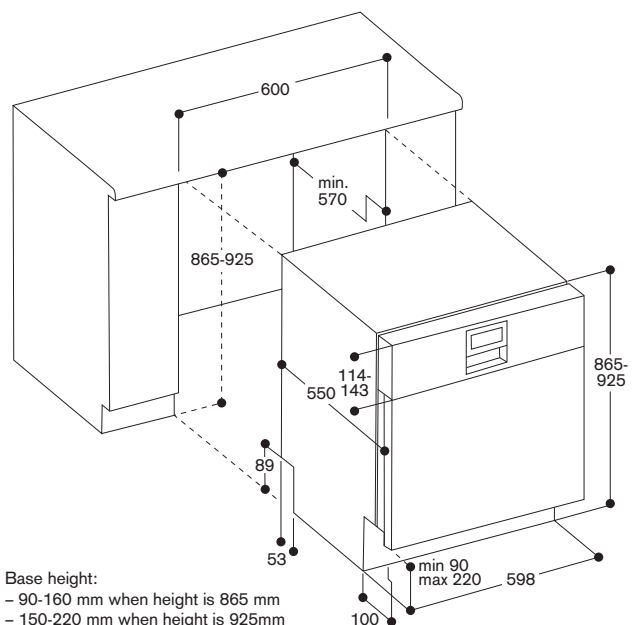
Noise level 42 dB (re 1 pW).

Planning notes

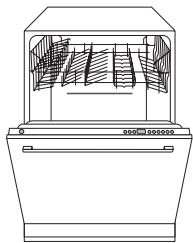
- Height-adjustable feet.
- Rear plinth protrusion 90 mm.
- Rear feet adjustable at front.
- Door weight up to 9.5 kg.
- Door panel dimension dependant on plinth height of kitchen furniture.
- Installation possible in tall unit.

Connection

- Total connected load 2.3 kW.
- Connecting 10 amp cable plugable.
- Water connection with 3/4" screw joint.
- Length of connection cable, water in- and outlet see detailed drawing.



Base height:
 - 90-160 mm when height is 865 mm
 - 150-220 mm when height is 925mm



DF 240 161

fully integrated

Appliance height 81.5 cm

Included accessories

1 baking tray spray head

Special accessories

GZ 010 011

Aqua stop extension
(2 m long) for all dishwashers

DA 043 060

Glass basket for all 60cm wide dishwashers



Dishwasher

DF 240 161

- Power dishwasher: dishes clean and dry in 59 minutes
- Four programmes with Aqua sensor and two options
- Glasscare technology
- Very quiet: 44 dB
- Aqua stop

Handling

Touch key operation.
Display with time remaining indicator.
Electronic refill indicator for salt and rinsing agent in the control panel.
Inflow water indicator.
Info-Light.
End of programme indicator.
Time delay up to 24 hours.

Features

Glass care technology.
Aqua sensor.
Load sensor.
Aqua stop with guarantee.
Dosage Assist.
Automatic detergent function.
Regeneration electronics.
Heat exchanger.
Continuous flow heater.
Soft lock.
Triple filter system, self-cleaning.
Child lock.

Programmes

4 programmes:
Auto 65°C - 75°C.
Auto 55°C - 65°C.
Standard Eco 50°C.
Quick wash 45°C (29 min.).

2 Options:

Power.
Intensive.

Features

Flex upper basket:
Rackmatic with 2 levels, adjustable in height by 5 cm.
2 folding spines.
2 folding racks.
1 knife rack.

Flex lower basket:

4 folding spines.
Cutlery basket.

13 place setting capacity.

Product rating

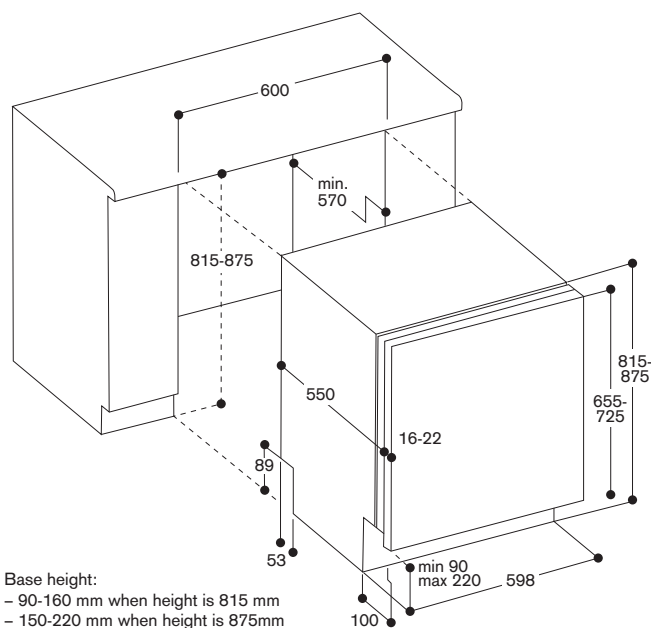
WELS 5 star/10.7L
From 0.97 kwh.
Noise level 44 dB (re 1 pW).

Planning notes

Height-adjustable feet.
Rear plinth protrusion 90 mm.
Rear feet adjustable at front.
Door weight up to 9.5 kg.
Door panel dimension dependant on plinth height of kitchen furniture.
Installation possible in tall unit.

Connection

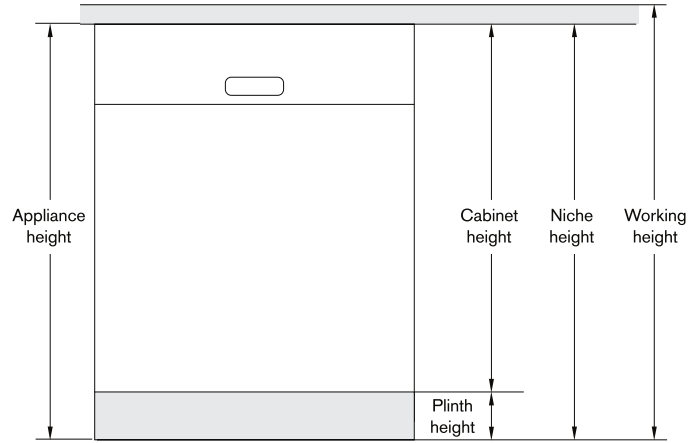
Total connected load 2.3 kW.
Connecting cable plugable.
Water connection with 3/4" screw joint.



For niche heights from 810 to 850mm, in most cases, the 81.5 cm high dishwasher must be planned, regardless of the plinth height.

For niche heights from 880 to 920mm, in most cases, the 86.5 cm high dishwasher must be planned, regardless of the plinth height.

If the niche height amounts to 860 or 870 mm, please note: Whether the 81.5 cm high dishwasher or the 86.5 cm high dishwasher can be used here depends on the plinth height. (See matrix below)



Cabinet height 655–725 mm ① Cabinet height 705–775 mm ⑥

Example with 870 mm niche height:

The 81.5 cm dishwasher must always be planned if the kitchen's plinth is between 170 mm and 220 mm high.

The 86.5 cm dishwasher must always be planned if the kitchen's plinth is between 100 mm and less than 150 mm high.

Either dishwasher can be used if the plinth is between 150 and 170 mm high.

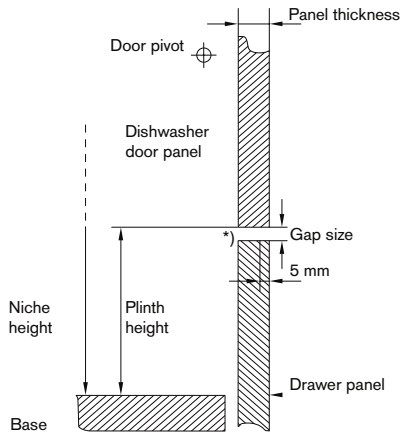
Plinth height in mm ↓	Niche height in mm →											
	815	825	835	845	855	865	875	885	895	905	915	925
<90	①	①	①	①	①	① ⑥	① ⑥	⑥	⑥	⑥	⑥	⑥
90	①	①	①	①	①	① ⑥	① ⑥	⑥	⑥	⑥	⑥	⑥
100	①	①	①	①	①	① ⑥	① ⑥	⑥	⑥	⑥	⑥	⑥
110	①	①	①	①	①	① ⑥	① ⑥	⑥	⑥	⑥	⑥	⑥
120	①	①	①	①	①	① ⑥	① ⑥	⑥	⑥	⑥	⑥	⑥
130	①	①	①	①	①	① ⑥	① ⑥	⑥	⑥	⑥	⑥	⑥
140	①	①	①	①	①	① ⑥	① ⑥	⑥	⑥	⑥	⑥	⑥
150	①	①	①	①	①	① ⑥	① ⑥	⑥	⑥	⑥	⑥	⑥
160	①	①	①	①	①	① ⑥	① ⑥	⑥	⑥	⑥	⑥	⑥
170		①	①	①	①	①	① ⑥	⑥	⑥	⑥	⑥	⑥
180			①	①	①	①	①	⑥	⑥	⑥	⑥	⑥
190				①	①	①	①		⑥	⑥	⑥	⑥
200					①	①	①			⑥	⑥	⑥
210						①	①				⑥	⑥
220							①					⑥

① = 81.5 cm high dishwasher DF 240

⑥ = 86.5 cm high dishwasher DF 461/DI 461

Tall-unit installation of dishwashers without slanted drawer panel

The table contains the gap size required between the kitchen furniture door panel and drawer panel with reference to recess height, base height and panel thickness when using a standard kitchen furniture door panel for dishwashers installed below worktops.

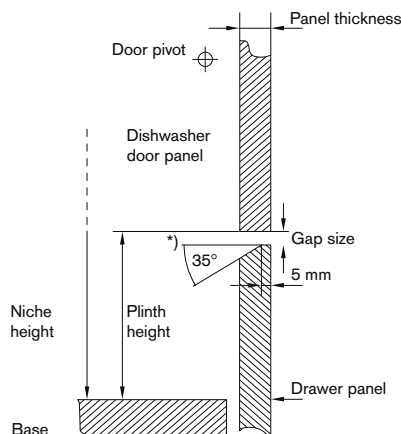


* The pivot area of the door should be at least 4 mm.

Niche height (mm)	Panel thickness (mm)	Plinth height (mm)									
		90	100	110	120	130	140	150	160	170	
815	16	10.5	11	12	13	14.5	16.5	19	22.5		
	19	12	12.5	13.5	15	16.5	18.5	22	25.5		
	22	13.5	14.5	15.5	16.5	18.5	21	24.5	28.5		
825	16		10.5	11	12	13	14.5	16.5	19	22.5	
	19		12	12.5	13.5	15	16.5	18.5	22	25.5	
	22		13.5	14.5	15.5	16.5	18.5	21	24.5	28.5	
835	16			10.5	11	12	13	14.5	16.5	19	
	19			12	12.5	13.5	15	16.5	18.5	22	
	22			13.5	14.5	15.5	16.5	18.5	21	24.5	
845	16				10.5	11	12	13	14.5	16.5	
	19				12	12.5	13.5	15	16.5	18.5	
	22				13.5	14.5	15.5	16.5	18.5	21	
855	16					10.5	11	12	13	14.5	
	19					12	12.5	13.5	15	16.5	
	22					13.5	14.5	15.5	16.5	18.5	
865	16	10.5	11	12	13	14.5	16.5	19	22.5		
	19	12	12.5	13.5	15	16.5	18.5	22	25.5		
	22	13.5	14.5	15.5	16.5	18.5	21	24.5	28.5		
875	16		10.5	11	12	13	14.5	16.5	19	22.5	
	19		12	12.5	13.5	15	16.5	18.5	22	25.5	
	22		13.5	14.5	15.5	16.5	18.5	21	24.5	28.5	
885	16			10.5	11	12	13	14.5	16.5	19	
	19			12	12.5	13.5	15	16.5	18.5	22	
	22			13.5	14.5	15.5	16.5	18.5	21	24.5	
895	16				10.5	11	12	13	14.5	16.5	
	19				12	12.5	13.5	15	16.5	18.5	
	22				13.5	14.5	15.5	16.5	18.5	21	
905	16					10.5	11	12	13	14.5	
	19					12	12.5	13.5	15	16.5	
	22					13.5	14.5	15.5	16.5	18.5	
915	16						10.5	11	12	13	
	19						12	12.5	13.5	15	
	22						13.5	14.5	15.5	16.5	
925	16							10.5	11	12	
	19							12	12.5	13.5	
	22							13.5	14.5	15.5	

Tall-unit installation of dishwashers with slanted drawer panel

The table contains the gap size required between the kitchen furniture door panel and drawer panel with reference to recess height, base height and panel thickness when using a standard kitchen furniture door panel for dishwashers installed below worktops.



* The pivot area of the door should be at least 4 mm.

Niche height (mm)	Panel thickness (mm)	Plinth height (mm)									
		90	100	110	120	130	140	150	160	170	
815	16	6.5	6.5	7	7.5	8	9	12	15.5		
	19	7	7.5	8	8.5	9.5	11	13	17		
	22	7.5	7.5	8	9	9.5	11.5	14	18		
825	16		6.5	6.5	7	7.5	8	9	12	15.5	
	19		7	7.5	8	8.5	9.5	11	13	17	
	22		7.5	7.5	8	9	9.5	11.5	14	18	
835	16			6.5	6.5	7	7.5	8	9	12	
	19			7	7.5	8	8.5	9.5	11	13	
	22			7.5	7.5	8	9	9.5	11.5	14	
845	16				6.5	6.5	7	7.5	8	9	
	19				7	7.5	8	8.5	9.5	11	
	22				7.5	7.5	8	9	9.5	11.5	
855	16					6.5	6.5	7	7.5	8	
	19					7	7.5	8	8.5	9.5	
	22					7.5	7.5	8	9	9.5	
865	16	6.5	6.5	7	7.5	8	9	12	15.5		
	19	7	7.5	8	8.5	9.5	11	13	17		
	22	7.5	7.5	8	9	9.5	11.5	14	18		
875	16		6.5	6.5	7	7.5	8	9	12	15.5	
	19		7	7.5	8	8.5	9.5	11	13	17	
	22		7.5	7.5	8	9	9.5	11.5	14	18	
885	16			6.5	6.5	7	7.5	8	9	12	
	19			7	7.5	8	8.5	9.5	11	13	
	22			7.5	7.5	8	9	9.5	11.5	14	
895	16				6.5	6.5	7	7.5	8	9	
	19				7	7.5	8	8.5	9.5	11	
	22				7.5	7.5	8	9	9.5	11.5	
905	16					6.5	6.5	7	7.5	8	
	19					7	7.5	8	8.5	9.5	
	22					7.5	7.5	8	9	9.5	
915	16						6.5	6.5	7	7.5	
	19						7	7.5	8	8.5	
	22						7.5	7.5	8	9	
925	16							6.5	6.5	7	
	19							7	7.5	8	
	22							7.5	7.5	8	