

Stainless steel gas cooktop 90 cm
with aluminium control panel
200 Series

KG 291-210AU

Shot-blasted aluminium control panel
Natural gas 1.0 kPa
Propane 2.75 kPa

230-240 V / 50Hz

KG 291-210AU

All-gas appliance for natural or bottled
gas.

- **Sturdy stainless steel, solid smooth-surface cast grids and top control panel.** Top performance also in the Series 200.
- **59.0 MJ on five burners including wok burner.** Professional cooking for large parties.
- **Convenient operation with fast ignition.** Simply move the switch to the required position and release like on an electric cooktop.

Brushed stainless steel gas cooktop.
Integrated control panel with ring and
output markings.
Five brass gas burners:
Two two-ring super-high output burners
(0.5MJ-14.4MJ), suitable for pots up to
max. ø 28 cm.
Two two-ring standard burners
(0.5MJ-7.2MJ), suitable for pots up to
max. ø 28 cm.
One three-ring super-high output burner
(1.0MJ-18.0MJ), suitable for pots up to
max. ø 32 cm.

Very convenient thanks to ideal burner
configuration, electronics and a broad
output spectrum.
Automatic fast ignition.
One-hand operation.
Electronic flame monitoring
(ionisation principle) with automatic re-
ignition.
Three-part pan support with flat,
continuous pot surface.
Operation indicating lamps.
Gas valve with fine control.

Special accessories:

WP 400-001 Wok pan made of
multiple-layer material, with round bottom
and handle, ø 36 cm, 6 litre, height
10 cm. Can only be used with VI 411,
VG 411, KG 491/291 and conditionally
with VG 231.

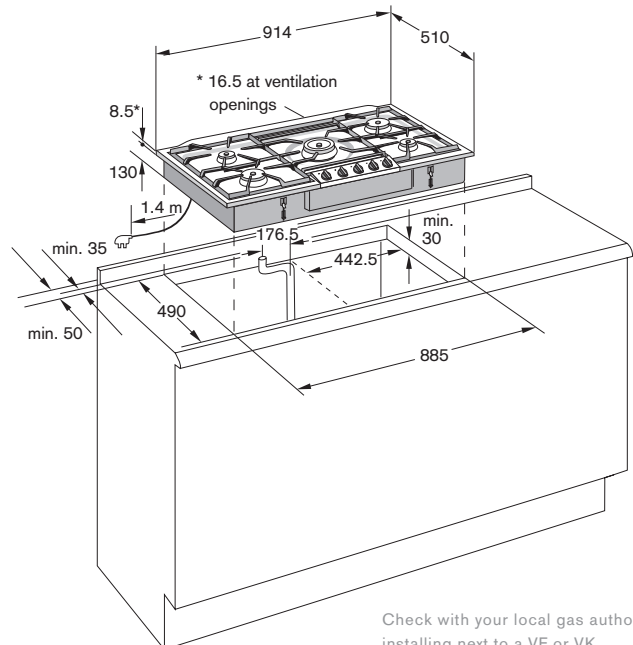
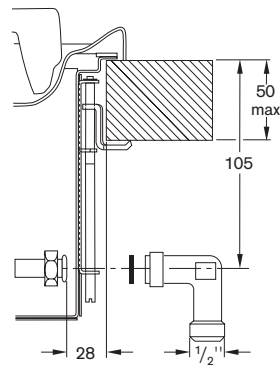
Rating:

Total energy usage:
17 kW / 61.2 MJ.
10 amp electrical connection.
10 amp plug and cable (1.4m).

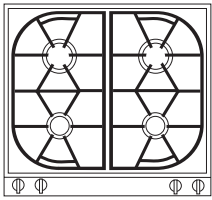
Planning note:

Installation in a 90 cm lower cabinet.
Air intake from above.
The gas cooktop is equipped with a
connecting cable and a grounded
plug (1.40 m long).
The appliance must be set up and
connected in accordance with the
applicable installation specifications.
A ventilation hood must be
switched on during operation of the
gas cooktop. Corresponding
ventilation openings must exist.
The rear panel must consist of a
non-flammable material.
A minimum clearance of 300 mm
from adjacent heat-sensitive
wooden side panels must be
observed or thermal insulation
fitted.
Distance between ventilation hood
and gas cooktop: at least 760 mm.
A minimum clearance between the
individual recess of 50 mm is
recommended when the hob is
fitted onto other appliances in the
Vario Series 200 (KG 291 with
aluminium panel).
Cooktop clamping range:
30 - 50 mm.
Special nozzles must be ordered as
spare parts.

The appliance is not operable
without an electrical connection.



Check with your local gas authority if
installing next to a VF or VK.



Stainless steel gas cooktop 60 cm
with aluminium control panel
200 Series

KG 260-234AU
Natural gas 1.0 kPa
Propane 2.75 kPa

230-240 V / 50Hz

KG 260-234AU

All-gas appliance for natural or bottled gas.

- Continuous control panel strip in shot-blasted aluminium.

Cooking appliances and ovens in a consistent design.

- Electric ignition of all burners.

Simply press the knob, turn it and hold it there until a stable flame burns.

Brushed stainless steel cooktop.

Four gas burners suitable for pots up to max. ø 22 cm:

Two high-output burners (2 - 10.1 MJ)

Two standard burners (1.4 - 6.8MJ).

Electric ignition.

One-handed operation.

Cast pan supports, also suitable for small pots.

Enamelled burner cover.

All-gas valve with fine control and thermoelectric safety pilot.

Special accessories:

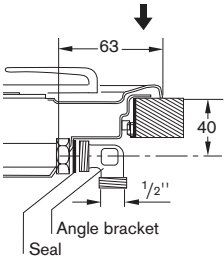
VD 201-010 Shot-blasted aluminium appliance cover (two covers required).

SH 260-000 Hinge holder for fitting the appliance cover VD 201 (order separately).

VV 200-000 Connecting strip for combination with further appliances with integrated control panel strip.

Planning note:

If a cover is fitted, the pan supports must be removed when closing it.



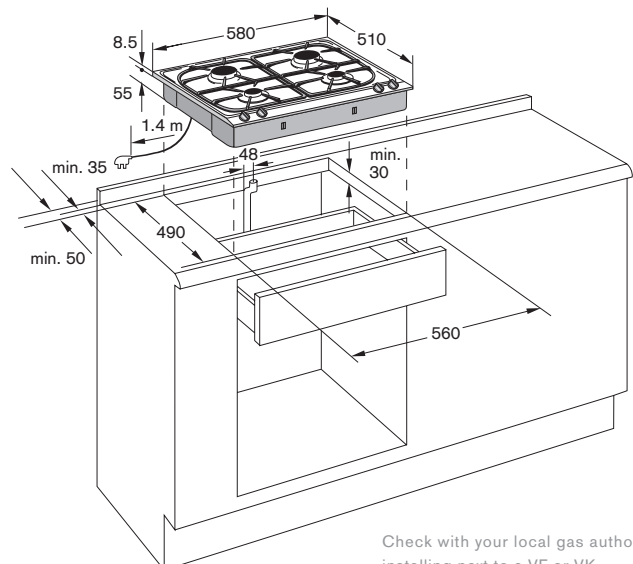
Rating:

The gas cooktop is equipped with a connecting cable and a grounded plug (1.4 m long).

The swivel range is limited when the appliance is combined with VL 051. A minimum clearance of 150 mm from adjacent heat-sensitive furniture or contact surfaces must be observed or thermal insulation fitted.

Appliance snaps into the worktop from above.

Total energy usage:
9.4 kW / 33.7MJ.
10 amp electrical connection.
10 amp plug and cable (1.4m).



Check with your local gas authority if installing next to a VF or VK.