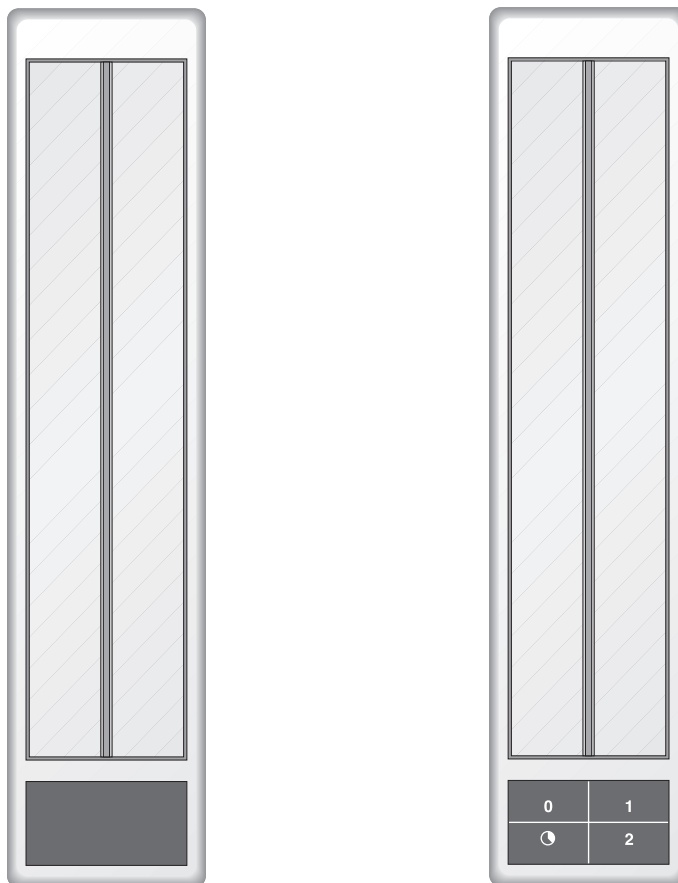


Operating and assembly instructions

VL 430/431

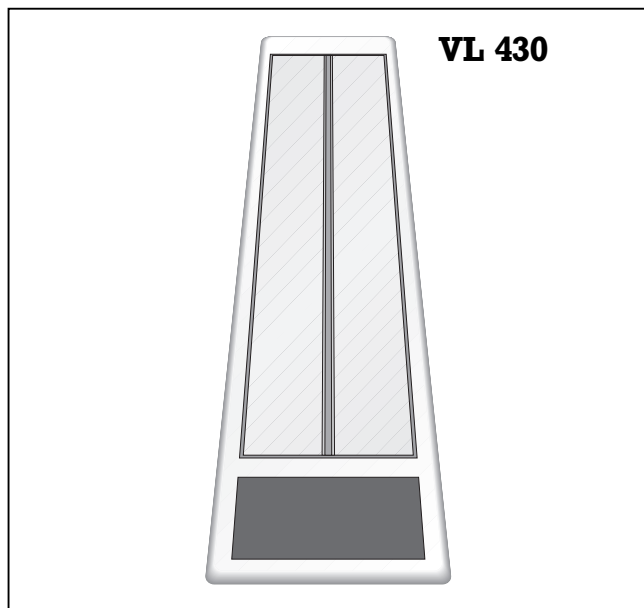
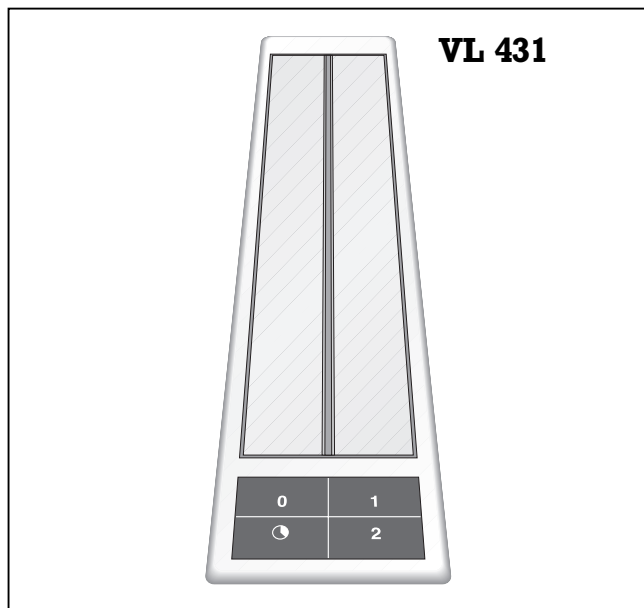
Hob ventilator



GAGGENAU

1. Important notes	Page 3-4
For your safety	Page 3
Operating for the first time	Page 4
Maintenance	Page 4
2. Features	Page 5
Features	Page 5
Special accessories	Page 5
3. Operation	Page 6
4. Cleaning and care	Page 7
5. Assembly instructions	Page 8-11
Important notes on installation	Page 8
Installing the appliance	Page 9-10
Electrical connection	Page 11

Preface



Congratulations on buying your new “Vario” appliance.

Before switching your appliance on for the first time, we would like you to familiarize yourself with your new appliance. In this manual you will find important notes on safety and operation. These will serve to ensure your personal safety and the lasting value of your appliance.

You will find notes on Page 4 that you ought to observe before operating the appliance for the first time.

The chapters entitled “Features” and “Operation” tell you all about what your appliance can do and how you operate it.

The chapter entitled “Cleaning and Care” gives tips on how to keep your appliance looking good.

And now we wish you lots of fun with your new hob ventilator.

1. Important notes

For your safety

Do not operate the appliance if it is damaged.

The appliance must only be connected by an authorised specialist, paying attention to the relevant regulations of the power supply companies and the regional construction regulations.

Observe the assembly instructions!

Make sure that connecting cables do not come into contact with hot cooking surfaces.

Do not use to extract hazardous or explosive substances and vapours!

As the user, you are responsible for maintenance and proper use in the household.

Do not operate the appliance without a grease filter.

Only operate the appliance under supervision. The appliance is intended solely for use in the household and must not be put to any other uses.

Caution! Over-greased filters are a fire risk! Clean the grease filter on a regular basis.

Do not clean the appliance with a steam cleaning apparatus or with water pressure because this poses a risk of short-circuits.

Isolate the appliance from the mains during every maintenance operation. To do this, remove the mains plug or actuate the corresponding fuse. If the mains plug is not accessible, the appliance must be disconnected from the mains by means of the domestic fuse.

Fire risk! It is not permitted to flambé meals next to a hob ventilator that is in operation.

Only use a grill or a deep fryer at the same time as the hob ventilator if it is under constant supervision.

This will involve a fire risk!

Do not place any objects on the appliance; this will interfere with the functioning of the appliance.

If you have installed a gas appliance between the hob extractors VL 430/431, the gas hob has to be fitted with two air baffles LS 330 on the side of the hob while cooking. The air baffles not only improve the airflow of the extractor next to a gas appliance, but also prevent a flame which has been set to a low level from being extinguished. If you have installed the hob extractor only on one side of the gas appliance, it is sufficient to fit one air baffle LS 330 on the side facing the extractor.

Note: do not operate this appliance next to a VG 411 gas cooker.

No warranty claims can be lodged in the event of damage caused by failure to observe these instructions.

Technical modifications reserved.

Operating for the first time

Before operating the appliance for the first time, please pay attention to the following notes:

Conscientiously read through the operating and assembly instructions before operating the appliance for the first time.

Remove the packaging from the appliance and dispose of it properly. Pay attention to the fact that there are accessories in the packaging! Keep packaging elements (e.g. plastic foil, styrofoam parts) out of the reach of children!

Thoroughly clean the appliance before using it for the first time. (see chapter entitled "Cleaning and care")

Before operating the appliance for the first time, check that the mains connection is in proper working order.

Maintenance

The appliance must always be disconnected from the mains when being repaired.

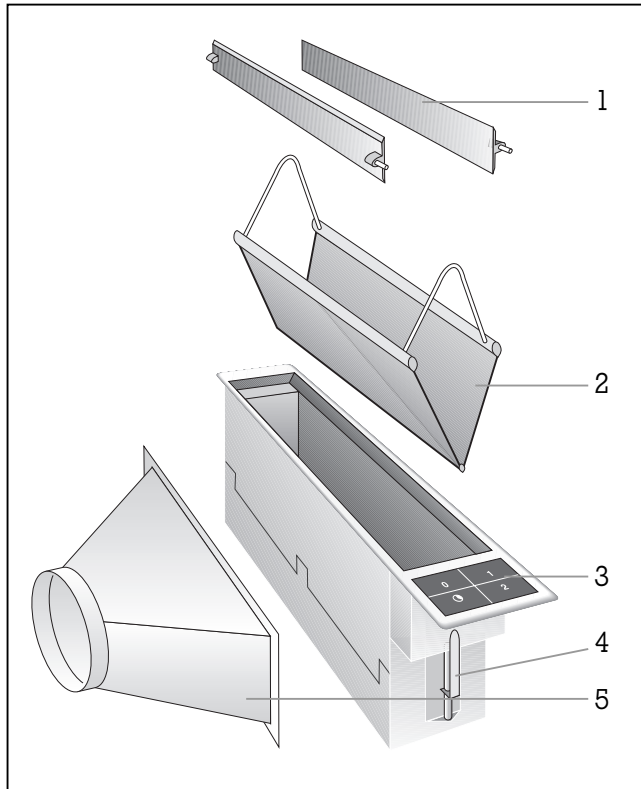
If the appliance does not function correctly, check the household fuses first.

If the power supply is functioning correctly, but your appliance still does not work, please contact your dealer or your local Gaggenau customer service agency. Specify the appliance type. The serial number and type of the appliance can be found on the rating plate.

Repairs may only be carried out by authorised technicians, in order to guarantee the safety of the appliance. Unauthorised tampering with the appliance will invalidate any warranty claims.

2. Features

Features



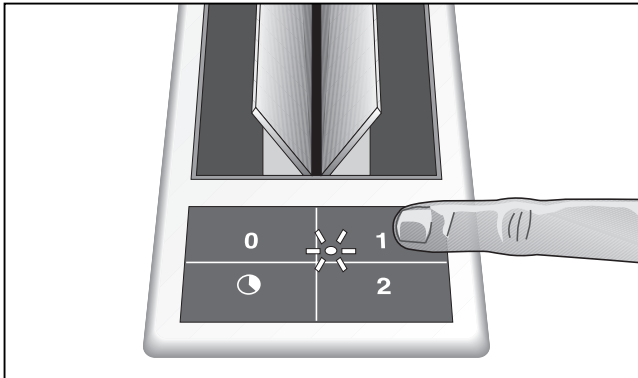
- 1** Ventilation flaps
- 2** Metal grease filter
- 3** Membrane key pad (VL 431 only)
- 4** Clamping screw
- 5** Suction extraction connection

Special accessories

- AL 400-000** Edge trim
- RV 050-150** Bifurcated pipe for joining 2 x DN 125 into DN 150
- LS 330-000** Air baffle

3. Operation

Note: VL 430 can only be operated in combination with VL 431. All operator inputs apply to both hob ventilators. That is to say: if you press the key for level 1, both hob ventilators are operated at level 1.



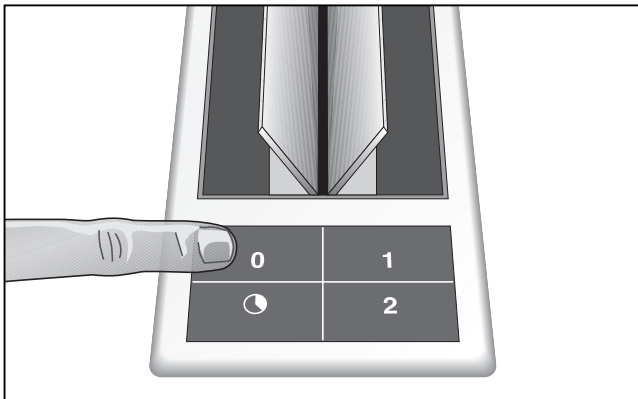
Switching on

Press the corresponding membrane key for the required level. The indicator light of the chosen level lights.

1 = Low speed, the flaps open

2 = High speed

☾ = Approximately 20 minutes run-on time on level 1. Then, the hob ventilator switches off automatically and the flaps shut. Ideal for ventilating the kitchen after cooking.

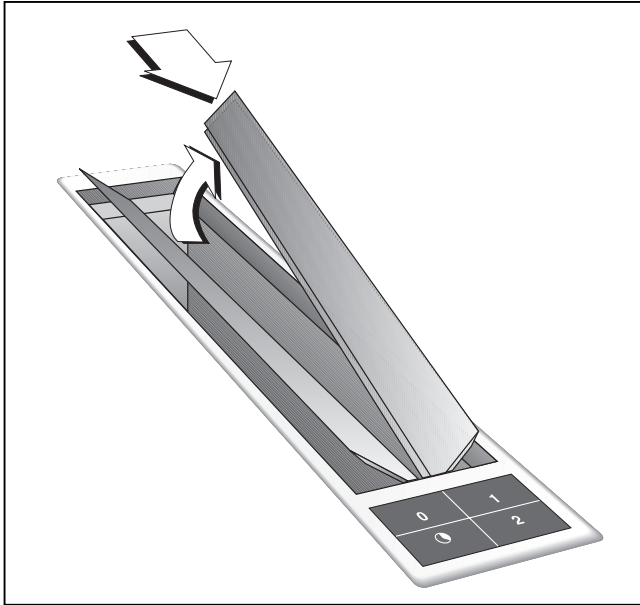


Switching off

Press the 0 membrane key.

The flaps shut after approx. 20 seconds.

4. Cleaning and care



The **grease filters** must be cleaned on a regular basis (at the latest after 30 hours of operation). Overgreased filters are a fire risk!

Cleaning the grease filter

- Switch appliance to level 1. The flaps open.
- Push the flaps towards the front and carefully lift them up on the rear. Then take off the flaps upwardly.
- Turn the two retaining hooks on the sides up, slightly push them together and remove the metal grease filter.

You can clean the metal grease filter in a dishwasher at a maximum temperature of 55 °C. Place the grease filter in the dishwasher with the opening pointing down to ensure that no food remainders will stay on it.

Insert in the reverse order as follows: switch appliance to level 1. Insert the grease filter and turn the two retaining hooks down. Insert the flap pins on the front into the hole and hook in at the rear at the correct angle.

Cleaning the flaps

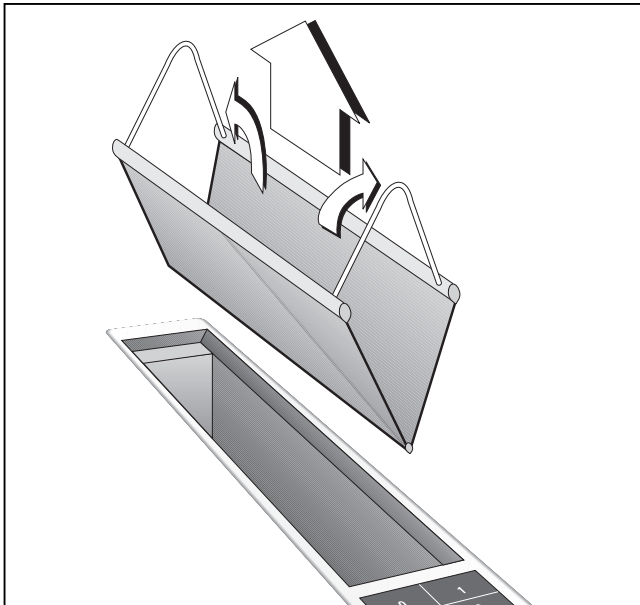
Do not clean the flaps in a dishwasher. Clean with a moist, soft cloth.

Cleaning the frame and the membrane key pad

Apply commercially available window cleaning agent with a soft, moist cloth. Do not spray cleaner onto the key pad.

Note:

do not use any strong, caustic or abrasive cleaning agents. Do not use any abrasive sponges or brushes either.



5. Assembly instructions

Important notes on installation

The appliance must only be connected by an **authorised specialist**. The specialist is responsible for perfect functioning of the appliance at its installation location. He must explain to the user how the appliance can be disconnected from the mains whenever required.

The **exhaust air** can be routed into a separate exhaust air shaft or directly into the open through the outside wall. It is not allowed to pass the exhaust air into a flue or exhaust air chimney that is in operation or into a shaft that is linked to the heating basement. Consult the chimney sweep responsible for your district whenever you wish to pass the exhaust air into a chimney that is not in operation.

Adequate incoming air must be ensured if a wood, coal, gas or oil heater or an open hearth is operated in the same room as the one in which the ventilator is installed.

The applicable regulations of the power supply companies and the regional construction regulations must be observed when installing the hob ventilator.

Safe operation is possible whenever the partial vacuum in the place where the firing equipment is installed does not exceed 4 Pa (0.04 mbar). This can be achieved whenever the air needed for combustion is able to enter through openings that cannot be sealed, for example in doors, windows, incoming/exhaust air wall boxes or other technical means.

Flexible aluminium pipes, corrosion-protected sheet metal pipes and **exhaust air** pipes whose material conforms to fire B1 in accordance with DIN 4102 can be used. Exhaust air pipes should have a nominal diameter of 125 mm.

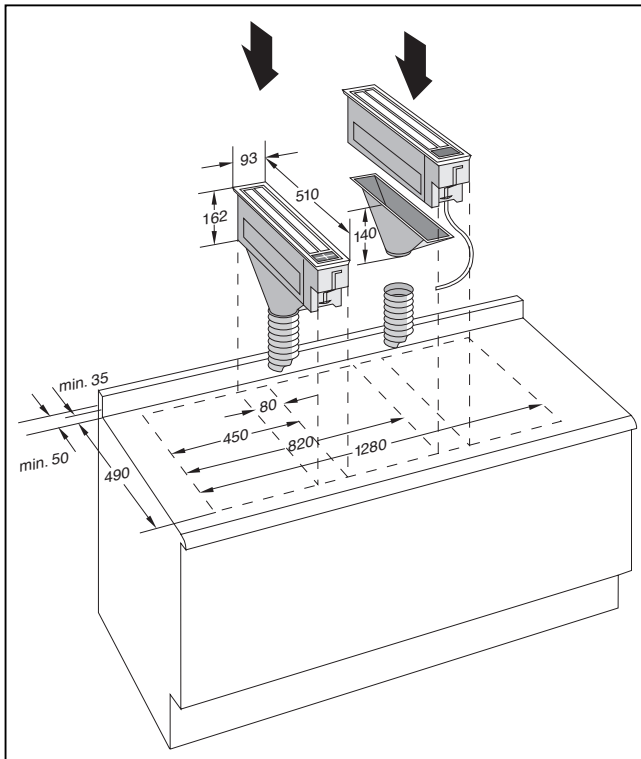
Pay particular attention to ensuring that

- the exhaust air ducts and pipes are kept as short as possible
- the pipes are not laid at an acute angle, but as bends and that they are inserted into the shaft at an inclined upward angle and
- there are no cross-sectional constrictions in the upward direction (this reduces the volume flow).

To prevent the ingress of water, e.g. condensate or rain water from an uncovered exhaust air shaft, our condensate separator RV 050-150 must be installed in the proximity of the hob ventilator. The condensate separator must still be accessible after installation.

Technical modifications reserved.

Installing the appliance



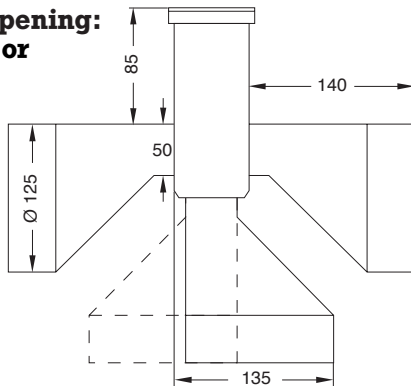
If two Vario appliances are used, the hob ventilator must be installed between the appliances. If 4-plate hobs are used, it is recommended to place two ventilators to the left and right of the hob. Owing to the high air output, an adequate supply of air is required. If you have installed a gas appliance between the hob extractors VL 430/431, the gas hob has to be fitted with two air baffles LS 330 on the side of the hob while cooking. The air baffles not only improve the airflow of the extractor next to a gas appliance, but also prevent a flame which has been set to a low level from being extinguished. If you have installed the hob extractor only on one side of the gas appliance, it is sufficient to fit one air baffle LS 330 on the side facing the extractor.

Note: do not install this appliance next to a VG 411 gas cooker.

The hob ventilator is installed at the side of the Vario appliance without any gap between the appliances.

- As standard, the blow-out direction is downward. Proceed as follows to establish a blow-out opening at the side:
 - Undo all 5 screws on the connection piece and detach the connection piece.
 - Undo the screws of the side cover.
 - Screw the connection piece onto the side opening and the cover onto the bottom opening.
- Cut out the recess for one or several Vario appliances in your worktop. Proceed as indicated on the installation sketch.
- Peel the protective film off the sealing tape. Stick the sealing tape to the front and rear of the cut out, so that half of the tape overlaps on the inside.
- On the side of the ventilator, press the seal into the groove provided.

Blow-out opening: downward or at the side





- Turn the clamping screws to the side. Insert the appliance with the control panel on the front into the cut-out and align it.

Note: do not stick the appliance onto the worktop with silicone.

- Turn the clamping screws under the countertop and tighten them evenly. Do not tighten the clamping screws too tightly, as a uniform sealing gap should be left all round.
- Connect the appliance to the fan module by means of a flexible aluminium pipe with a diameter of 125 mm.
- Connect the appliance to the fan module by means of the 4-pole plug.

We recommend the use of our telescopic wall box TM 180-043 to route exhaust air through the outside wall.

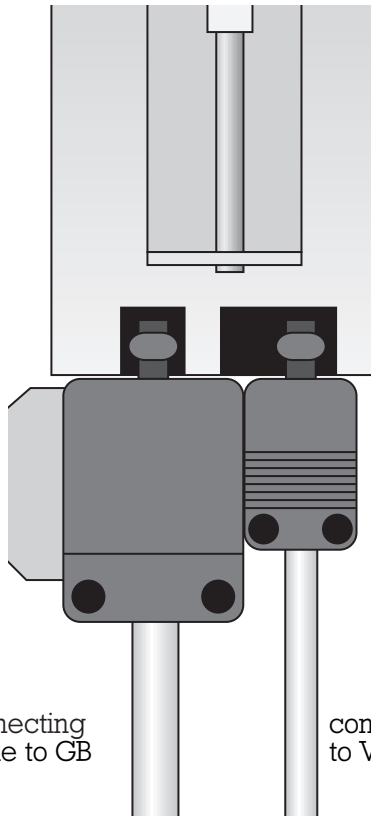
Installing the edge trim AL 400-000

The edge trim has to be fitted to the side of the hob ventilator, if this ventilator is installed together with other Vario appliances and forms the left or right edge of this combination.

The edge trim does not change the total width of the cut-out, however, the width of the edge trim has to be added to the total width of the appliance combination.

Simply press the edge trim under that side of the ventilator, that forms the edge of the combination. The hooks on the side of the edge trim will latch into the openings provided on the hob ventilator.

Connectors VL 431



Electrical connection

Pay attention to the rating plate data.

Observe the connecting scheme when connecting the hob ventilator and the fan module.

GAGGENAU

GAGGENAU HAUSGERÄTE GMBH
CARL-WERY-STR. 34 · D-81739 MÜNCHEN

☎ (089) 45 90-03
FAX (089) 45 90-23 47
www.gaggenau.com