

de **Gebrauchs- und
Montageanweisung**
en **Operating and
installation instructions**

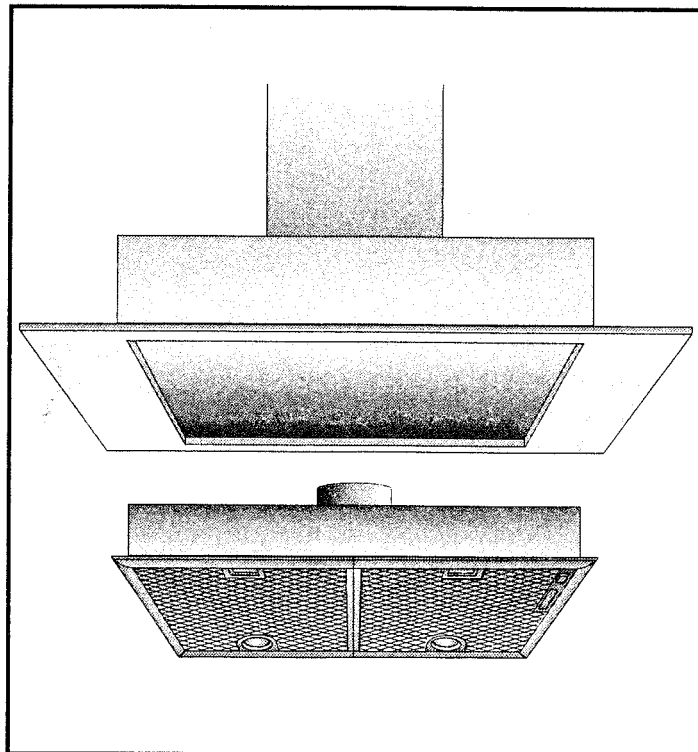


Distributed in Australia by:

SAMPFORD & STAFF PTY LTD

Phone: Vic/Tas	(03) 9418 5888
NSW	(02) 9331 8888
SA/NT	(08) 8212 7000
Qld	(07) 3358 3000
WA	(08) 9240 1288
ACT	(02) 6280 4177

Part No. W1100A



de

en

fr

nl

it

es

el

Operating modes

Exhaust-air mode

- The ventilator fan draws the vapours produced during cooking into the extractor hood, where they pass through the grease filter and out into the open air.
- The grease filter absorbs the grease contained in the vapours produced during cooking.
- The kitchen is kept almost totally free from grease and odours.

Circulating-air mode

- An activated carbon filter must be fitted for this operating mode (see Filters and maintenance).

Activated carbon filters can be purchased from specialist outlets (see Optional accessories on the last page).

- The ventilator fan draws the vapours produced during cooking into the extractor hood, where they pass through the grease filter and the activated carbon filter before the clean air is discharged back into the kitchen.
- The grease filter absorbs the grease contained in the vapours produced during cooking.
- The activated carbon filter absorbs any odorous substances.

Before using the first time

Important notes

This extractor hood complies with all relevant safety regulations.

Repairs should only be carried out by qualified specialists.

⚠ If the connection cable of this appliance is damaged, it must be replaced by the manufacturer, his customer service or a similarly qualified person in order to prevent a hazardous situation.

Improperly executed repairs can give rise to significant hazards for the user.

Before using the first time

⚠ The appliance is not intended for use by young children or infirmed persons without supervision.

Young children should be supervised to ensure they do not play with the appliance.

⚠ The appliance should only be connected up to the mains and taken into use by a qualified specialist.

⚠ Dispose of packaging materials properly (see Installation instructions).

⚠ Defective bulbs should be replaced immediately to prevent the remaining bulbs from overloading.

⚠ Light bulbs must always be fitted when the extractor hood is in use.

⚠ Never operate the extractor hood without a grease filter.

⚠ Overheated fat or oil can easily catch fire.

If you are cooking with fat or oil, e.g. chips, etc., never leave the cooker unattended.

⚠ Do not flambé food directly under the extractor hood.

! Risk of grease filter catching fire due to flames.

⚠ Restrictions apply to the use of the extractor hood over a solid-fuel burner (coal, wood, etc.). (See Installation instructions).

⚠ Always use gas hobs in a proper and safe manner.

Important:

! The flames from the gas hob must always be covered by pots or pans.

The intense heat generated by the gas flames could cause damage to the extractor hood.

This appliance is not intended for the use of young children or infirm persons without supervision.

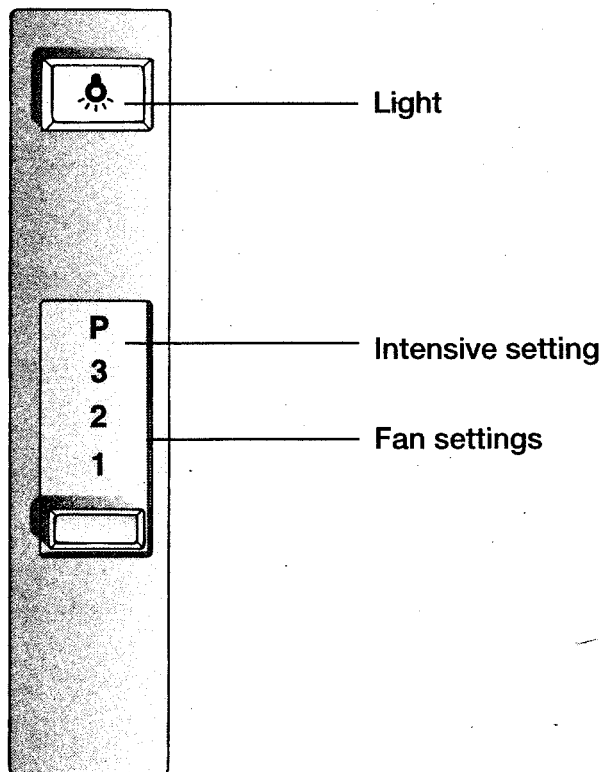
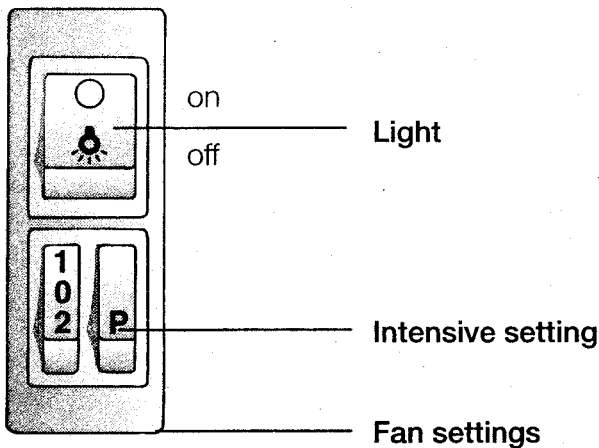
Young children should be supervised to ensure they do not play with this appliance.

How to operate the extractor hood

⚠ The most effective method of removing vapours produced during cooking is to:

- Switch the ventilator ON**
as soon as you begin cooking.
- Switch the ventilator OFF**
a few minutes after you have finished cooking.

Operating controls on different models



Note: The light can be switched on at any time, including when the vapour extractor tray has been pushed back into the hood.

Filters and maintenance

Various types of grease filter can be used to absorb the grease contained in the vapours produced during cooking.

Fleece grease filter

The filter mat is made from material that is itself virtually non-inflammable.

Caution:

As it becomes more and more saturated with grease however, the filter becomes increasingly inflammable. The efficiency of the extractor hood can also be adversely affected.

Important:

Renewing the fleece filter at appropriate intervals prevents the possibility of it catching fire as a result of a build-up of heat, such as occurs when deep-fat frying or roasting is taking place.

Renewing the fleece filter:

- Under normal operating conditions (1 to 2 hours per day), the fleece filter will require replacing after 8 to 10 weeks. Printed fleece filters must be renewed no later than when the coloured printing has started to fade.
- Use only original replacement filters.** In so doing you will ensure that safety regulations are upheld and the extractor hood performs as effectively as possible.

Disposing of the old fleece grease filter:

⚠ Fleece grease filters do not contain any pollutants. They can be composted and disposed of as biodegradable waste.

Filters and maintenance

Metal grease filter

The filter mat is made of non-combustible metal.

Caution:

As it becomes more and more saturated with grease, the filter also becomes increasingly inflammable. The efficiency of the extractor hood can also be adversely affected.

Important:

Clean the metal grease filter at regular intervals.

Cleaning the metal filter:

Under normal operating conditions (1 to 2 hours per day), the metal grease filter will require cleaning after 8 to 10 weeks.

- The filter can be cleaned in a dishwasher. This can however cause slight discoloration.

Important:

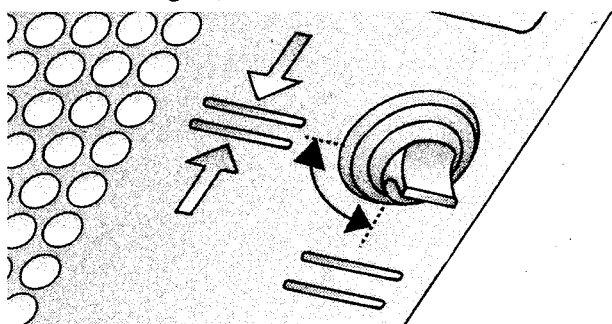
Metal filters that are heavily saturated with grease should not be cleaned at the same time as any crockery, etc.

- If the filter mat is going to be cleaned by hand, soak it first of all in a hot detergent solution for several hours. Clean the filter with a brush, rinse it off thoroughly and allow it to drip dry.
- Use only original replacement filters.** In so doing you will be ensuring that the extractor hood performs as effectively as possible.

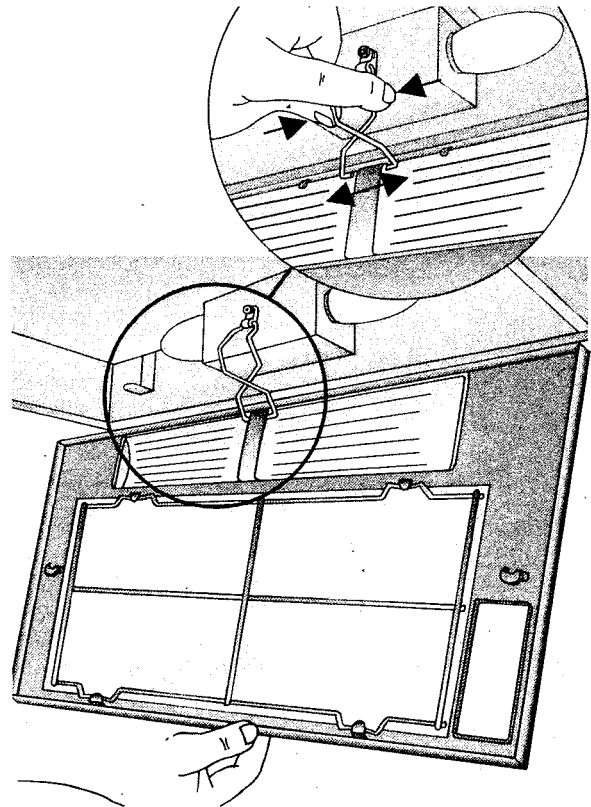
Removing and installing the grease filter

Extractor hoods with a filter mat:

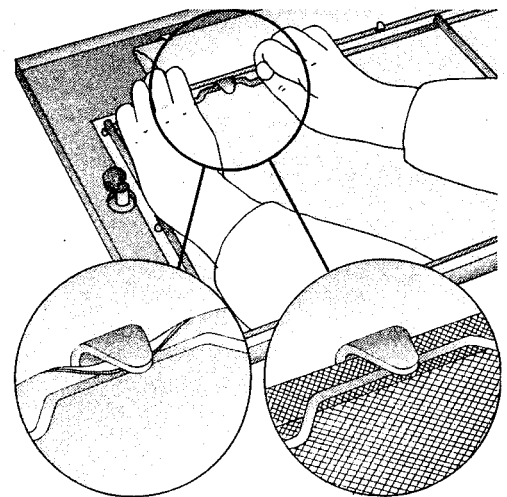
1. Rotate the handles on the left and right of the filter grille.



2. Press the retaining spring and remove the filter frame.



3. Remove the wire grille and replace the filter mat.



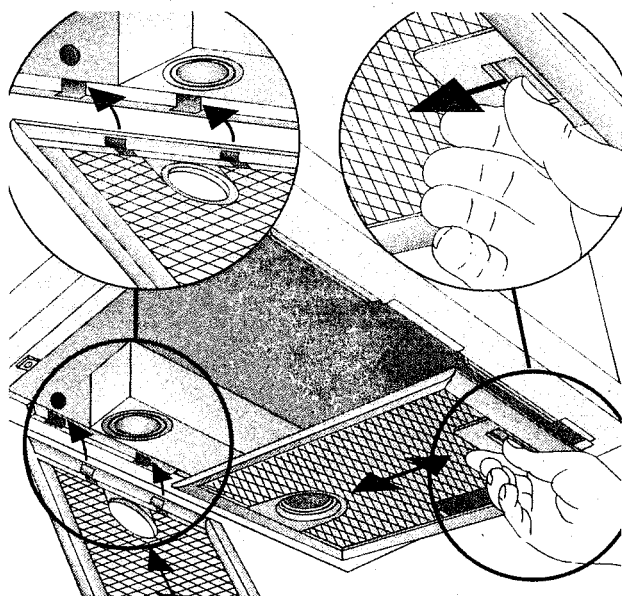
4. Install the filter frame in reverse sequence.
 - ⚠ Re-attach the retaining spring.
 - ⚠ The left and right sides of the filter frame must lock into position!

Filters and maintenance

Extractor hoods with two filter cartridges:

Warning: The halogen bulbs must be switched off and cool.

1. Depress the detent on the grease filters in the direction of the arrow and fold down the grease filter slightly. Detach the grease filter by pulling it towards yourself.



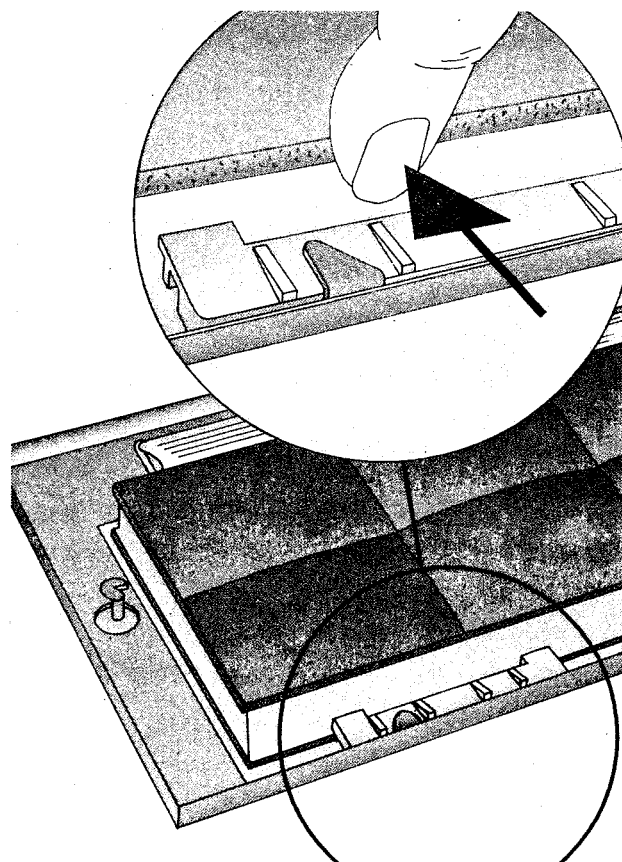
2. Clean the grease filters.
3. Re-insert the clean grease filters.

Activated carbon filter

Removing and installing the activated carbon filter

Extractor hoods with a filter mat:

1. Remove the filter; see grease filter.
 - The wire grille is no longer required when an activated carbon filter is installed.
2. Place the activated carbon filter on the filter mat and clamp it in.

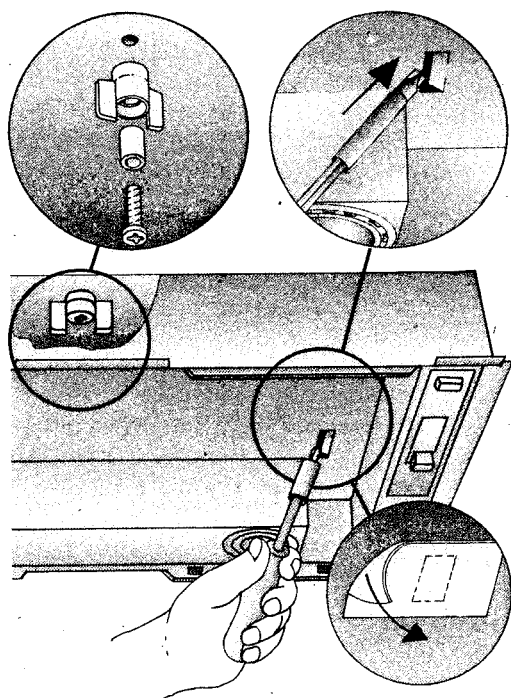


3. Install the filter frame.
 - See grease filter.

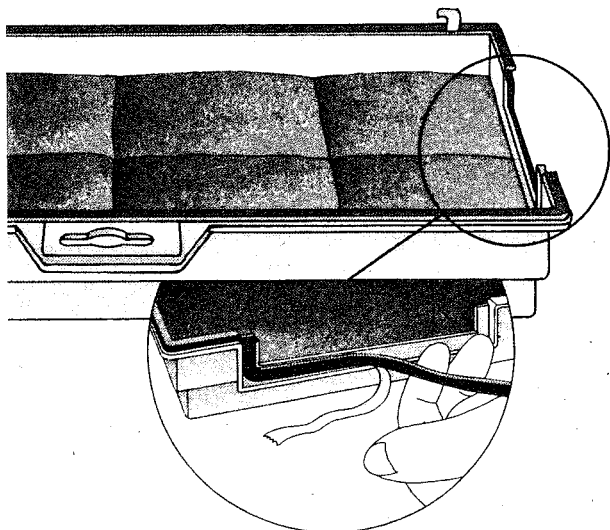
Activated carbon filter

Extractor hoods with two filter cartridges:

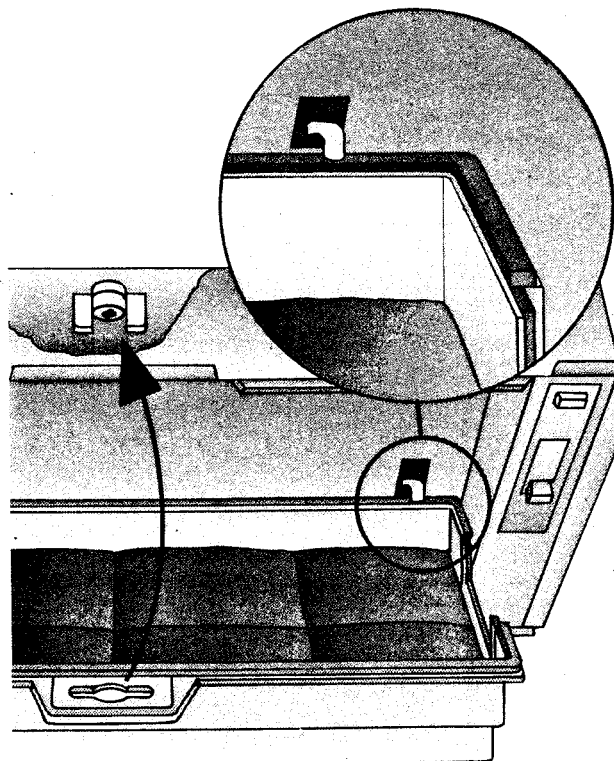
1. Remove the filter cartridge.
 See grease filter.
2. Insert the screw through the wing nut and the sleeve and screw in the middle screw in the false bottom (required only during the initial installation). Screw, sleeve and wing nut are enclosed with the activated carbon filter.
3. Using a screwdriver, press in the two lugs on the false bottom or remove the protective film (required only during the initial installation).



4. Tape over the activated carbon filter with the enclosed sealing strip.



5. Insert the activated carbon filter at the rear, fold up and lock in the middle with the wing nut.



6. Re-insert the two filter cartridges.

Removing the activated carbon filter:

- The activated carbon filter is removed in reverse sequence.

Changing the activated carbon filter:

If used normally (1 to 2 hours daily), the activated carbon filter should be changed approx. once a year.

Activated carbon filters can be purchased from SPECIALIST OUTLETS (see optional accessories on the last page).

Use original filters only. This will ensure optimum performance.

Disposing of the old activated carbon filter:

Activated carbon filters do not contain any pollutants. They can be disposed of e.g. as residual waste.

Cleaning and care

Switch off the extractor hood and isolate by pulling out the mains plug or switching off the disconnecter on the installation side.

- At the same time as you renew the grease filter (see Filters and maintenance), clean off any grease from all accessible parts of the housing. This significantly reduces the fire hazard and ensures that the extractor hood performs as effectively as possible.
- Clean the extractor hood with a hot detergent solution or a mild window cleaning agent.
- If the hood is extremely dirty (older stains), use a liquid window cleaner.
- Do not scratch off dried-on dirt, but wipe off with a damp cloth.
- Do not use scouring agents.

Warning: Clean the control buttons with a mild detergent solution and a soft, damp cloth only.

Painted, aluminium and plastic surfaces:

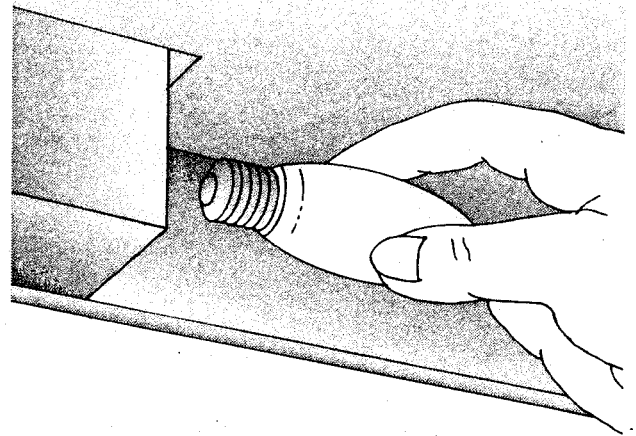
- Do not use scouring agents or abrasive sponges.
- Do not use dry cloths.
- Do not use corrosive, acidic or alkaline cleaning agents.
- Note:** Do not use alcohol (spirit) on plastic parts, otherwise the surface may become matt in appearance.
- Caution!** Ensure that the kitchen is adequately ventilated. Avoid naked flames.

Extensive use may result in a deposit of grease on the fan blade or within fan housing. Call your service agent to clean fan blade & housing.

Changing the bulbs

Candle bulbs:

1. Switch off the extractor hood and isolate by pulling out the mains plug or switching off the disconnecter on the installation side.
2. Remove the filter frame.
 See grease filter.
3. Replace the bulb.
(Commercially available candle bulbs max. 40 watt, E 14 holder).



4. Attach the filter frame.
 See grease filter.

Cleaning and care

Halogen bulbs:

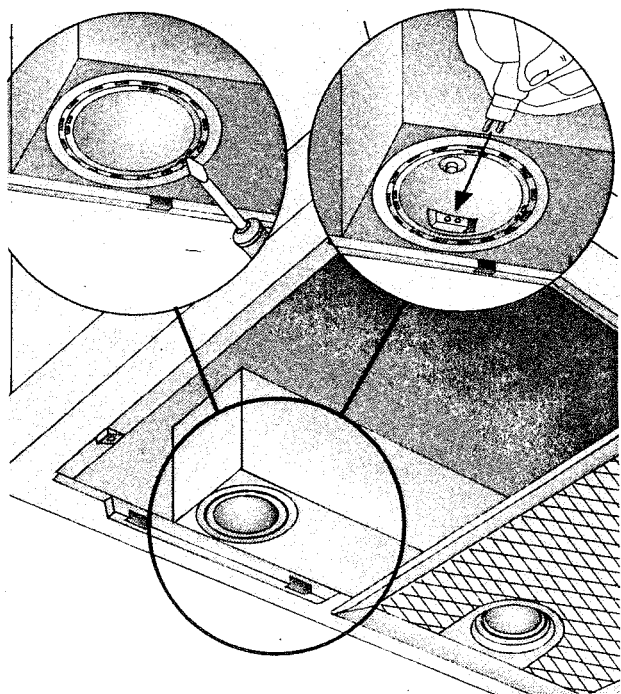
1. Switch off the extractor hood and isolate by pulling out the mains plug or switching off the disconnecter on the installation side.

⚠ When switched on, the halogen bulbs become very hot. Even for some time after the bulbs have been switched off there is still a risk of burns.

2. Remove the bulb ring with a screwdriver or similar tool.
3. Replace the halogen light bulb (conventional halogen bulb, 12 Volt, max. 20 Watt, G4 cap).

Caution: Refer to for plug-in lampholder.

Take hold of the bulb with a clean cloth.



4. Re-insert the bulb ring.
5. Plug the appliance into the mains or switch it on at the fuse box.

Note: If the light does not function, check that the bulbs have been inserted correctly.

If you encounter a problem

If you have any questions or if a fault occurs, please call Customer Service. (See list of Customer Service representatives).

When you call, please quote the following:

E-Nr.

FD

Enter the relevant numbers into the box above. The E-Nr. (product no.) and FD (production date) are shown on the nameplate which can be seen inside the extractor hood after the filter frame has been detached.